

ATMOVAC™

ATV-DVCK

DOMESTIC VACUUM CONTAINER KIT



3 CONTAINERS + 3 LIDS



MICROWAVE
SAFE*



DISHWASHER
SAFE



FREEZER
SAFE



BPA
FREE

FOOD-SAFE STORAGE SOLUTION
REUSABLE • EASY TO CLEAN

ATV-DVCK

Capacity

800 mL

1.4 L

2 L

Dimensions

6.75" L x 6.75" W x 3" H

6.75" L x 6.75" W x 4.5" H

6.75" L x 6.75" W x 6.5" H

Weight

0.7 lbs

0.8 lbs

1 lb

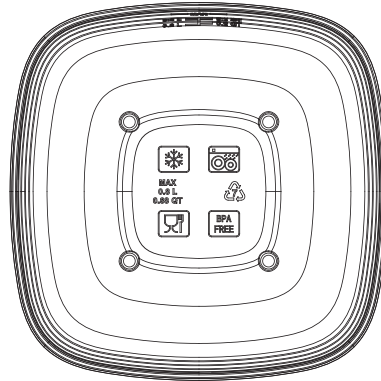
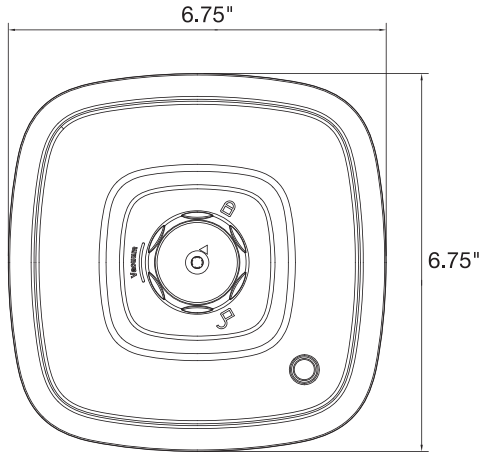
Material AS (BODY), SILICONE (SEAL), ABS (SCREW CAP)

For use with
ATMOVAC
Vacuum Machines

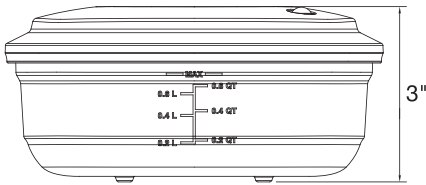
Suggested temperature range for storage: -4 to 158°F (-20 to 70°C)

* Must not exceed 5 minutes in the microwave at 158°F (70°C). Do not microwave oil

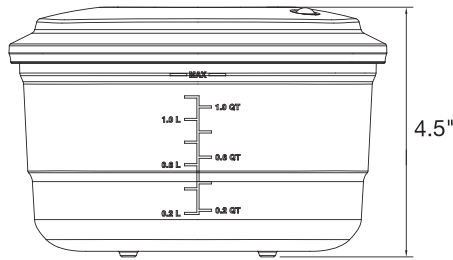
ATMOVAC™



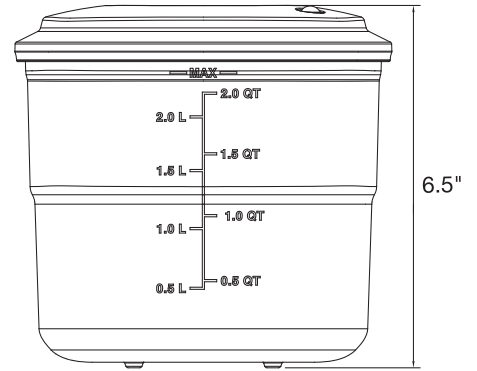
ATV-DVCK



800 mL

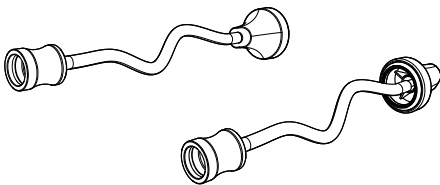


1.4 L



2 L

EXTERNAL VACUUM TUBE



Accessories sold separately

